

## Technische Daten/ Technical Data

### KLUDI E-GO

electronic controlled single lever sink mixer  
DN 15

Ref.: 422100575

Finishes:  
05 chrome

### Product description

Manufacturer KLUDI GmbH & Co. KG

Typ: KLUDI E-GO

electronic controlled single lever sink mixer

Ref.: 422100575

kitchen faucet

electronic controlled single lever sink mixer

with 6V Lithium Battery CR-P2

sensor self-adjusting

activation optoelectronic

maximum water run-time 2 minutes

with activatable cleaning mode

single lever mixer

manual or electronic actuation

1-hole mounted

solid lever metal

aerator M21,5

protected against back flow

Hybrid cartridge with hot water limitation

with magnet valve

flow rate at 3 bar

4,5 l/min. electronic

10,5 l/min. manuell

swivel spout (360°)

flexible hoses G3/8 DVGW approved

with integrated back flow preventer

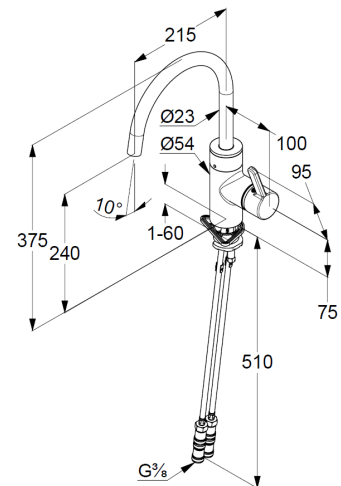
with dirt-catcher sieve

rapid installation set

### Produktabbildung/ Product picture



### Maßzeichnung/ Dimensional drawing



### Durchfluss/ Flow rate

