

Product: KLUDI control unit for single lever mixer Ø 41 mm

Ref.: 7685600-00

Product description

control unit for single lever mixer
 ceramic cartridge with adjustable hot water
 safety device
 diameter 41 mm
 in accordance to DIN EN 817
 LGA QualiTest type tested

Finishes:
 00

Product picture

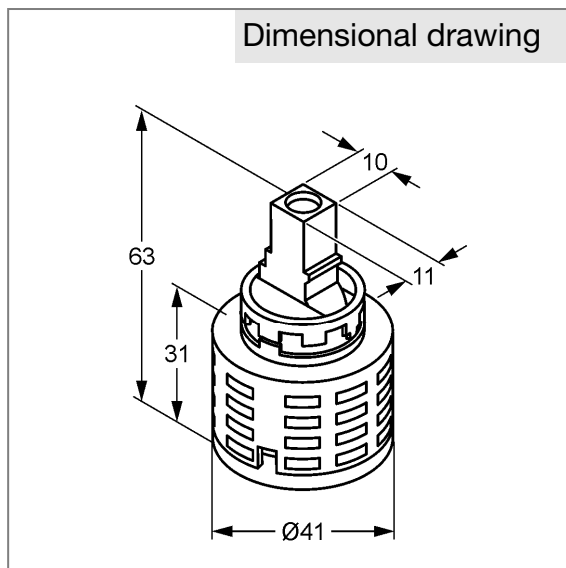


Advertisement

- * KLUDI GmbH & Co KG KLUDI control unit Ø 41 mm
 item no. 7685600-00
- ** ceramic cartridge with hot water safety device Ø 41 mm, DIN EN 817

control unit 41 mm, manufacturer KLUDI GmbH & Co KG KLUDI control unit 41 mm
 item no. 7685600-00, ceramic / plastic, with adjustable hot water safety device, acc.
 to EN 817, diameter Ø 41 mm, in acc. to drinking water order KIWA / KTW-A - W 270,
 LGA type tested with 70 000 cycles, max. operating temperature 90°C, max. test
 pressure 25 bar, max. operating pressure 10 bar / for operating pressure above 5 bar
 use pressure regulator to keep noise level acc. to DIN 4109, to save energy and to
 protect for scald we recommend max. 65 °C stored temperature, PN 10,

Dimensional drawing



Flow rate diagram

