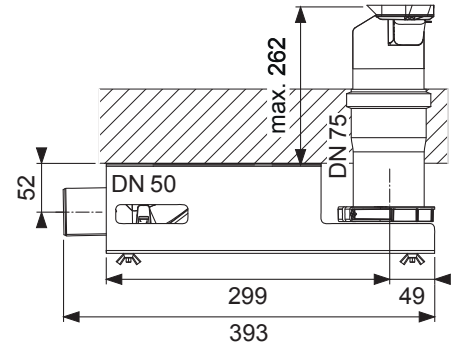
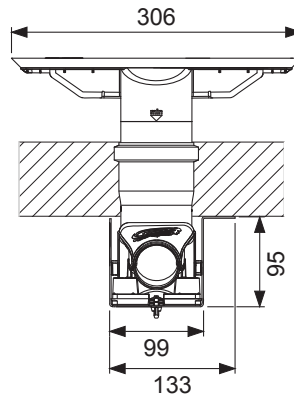
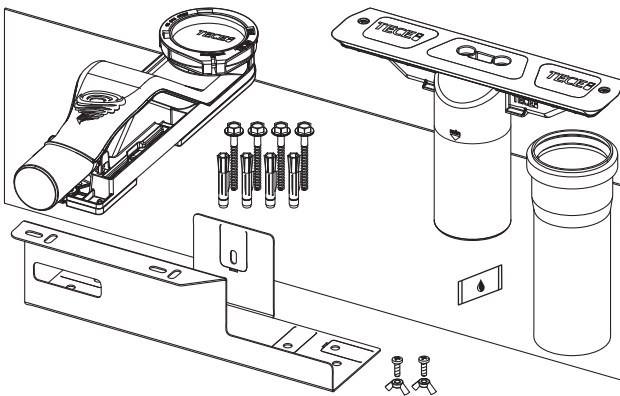


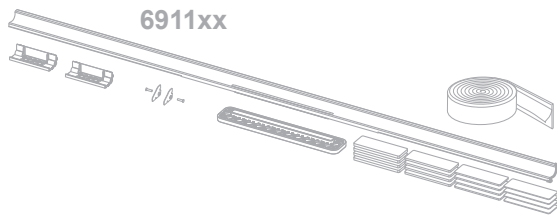
# TECEdrainway



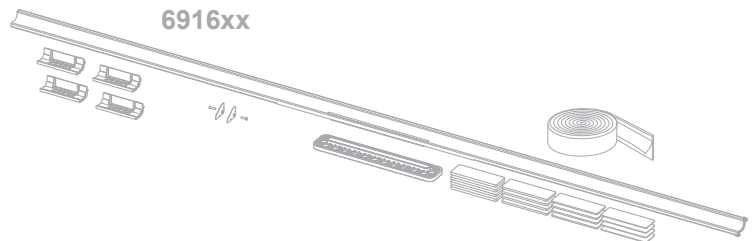
693030



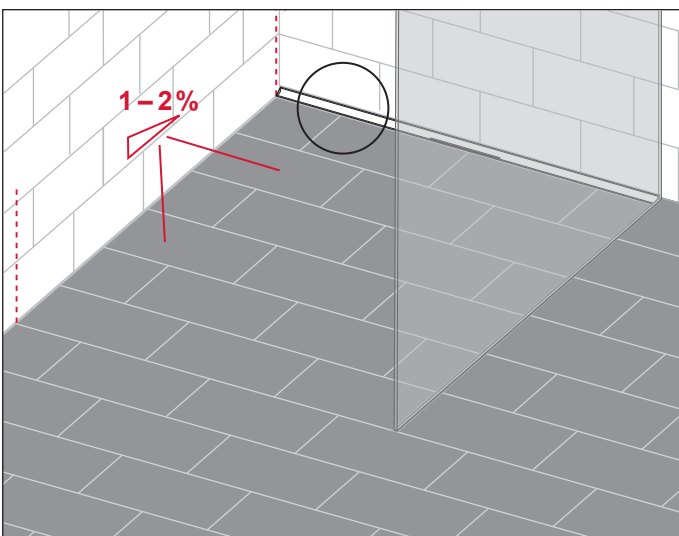
694009



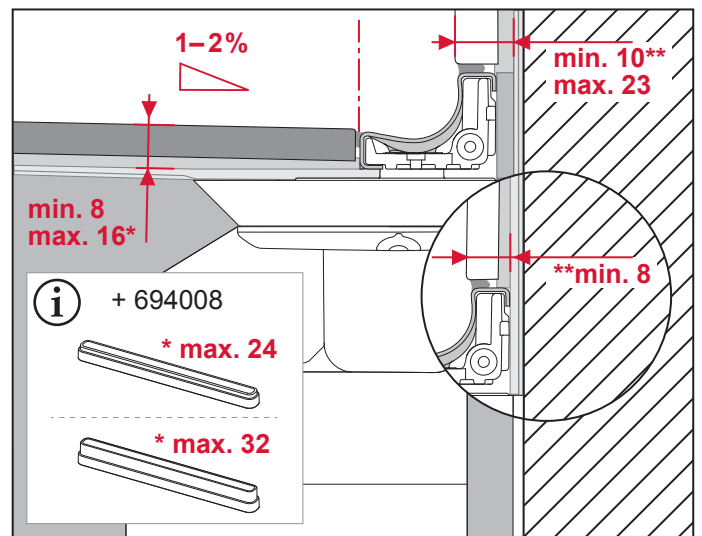
6911xx



6916xx



1-2%



1-2%

min. 10\*\*  
max. 23

min. 8  
max. 16\*

\*\*min. 8

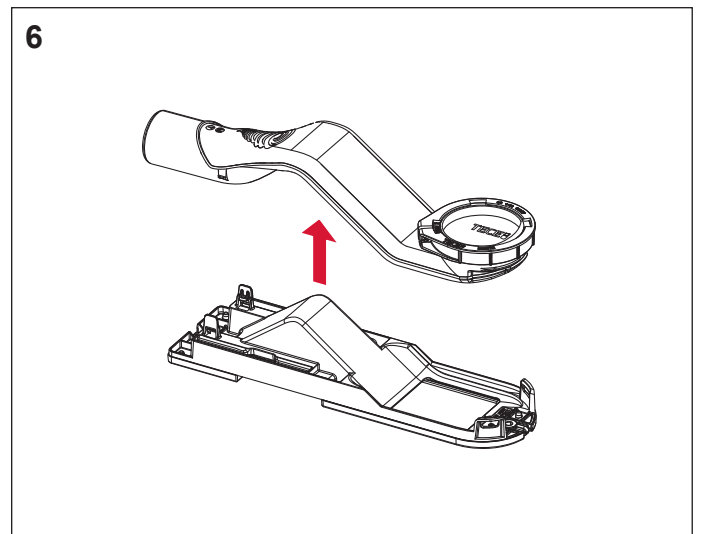
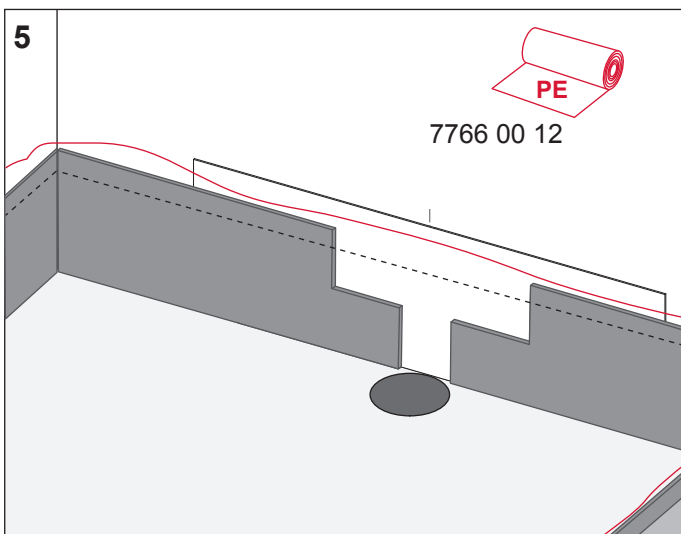
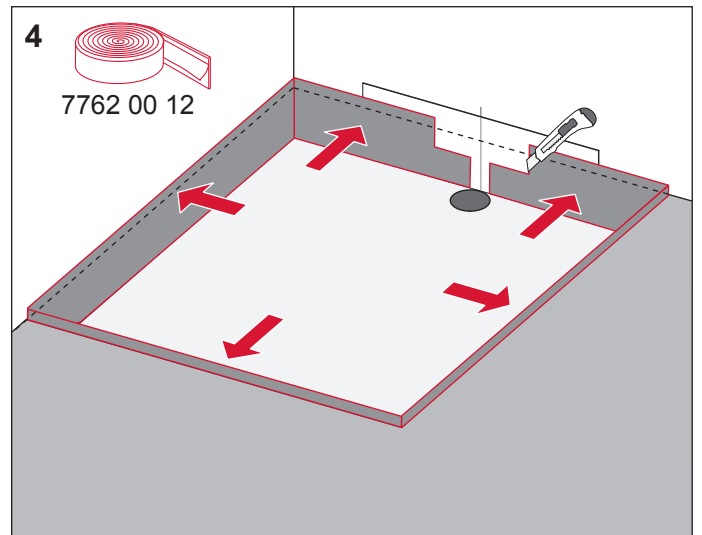
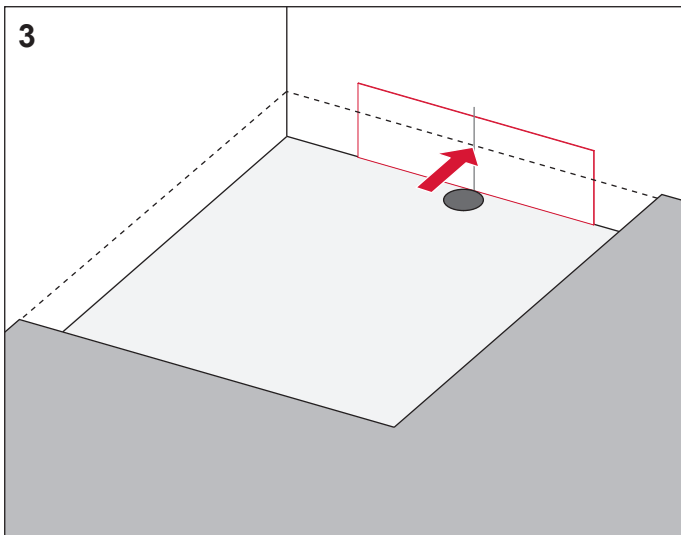
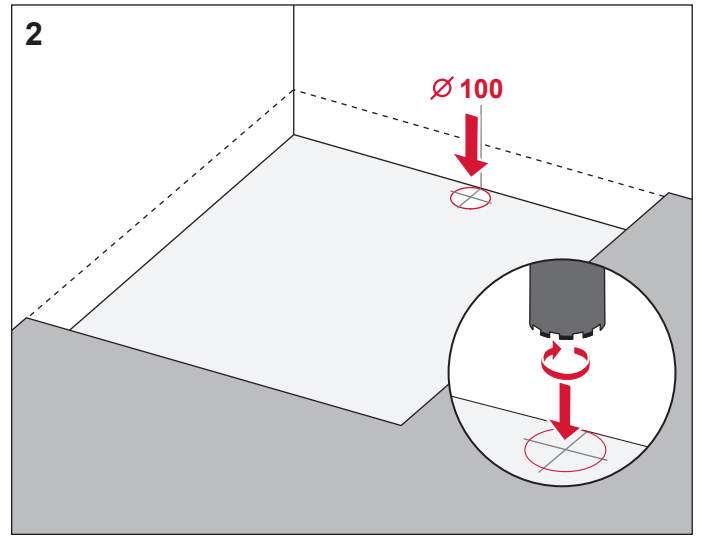
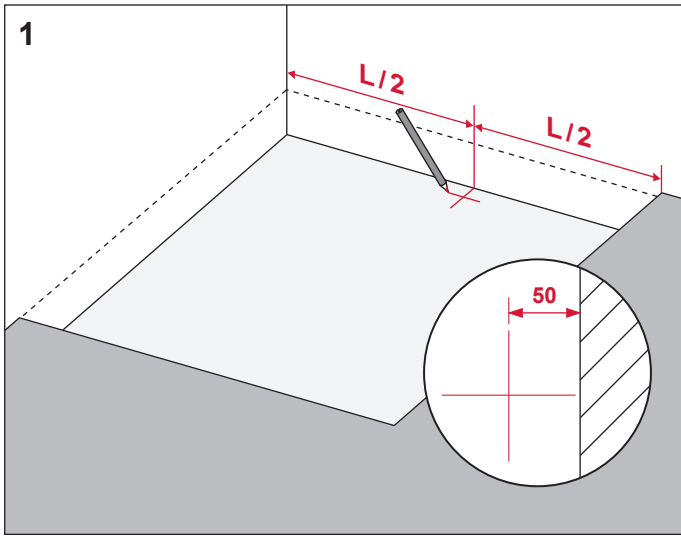


+ 694008

\* max. 24

\* max. 32

# TECEdrainway



# TECEdrainway

