

Technische Daten/ Technical Data

KLUDI BOZZ

stand pillar tap with head part control unit
DN 15

Ref.: 380160530

Finishes:
05 chrome

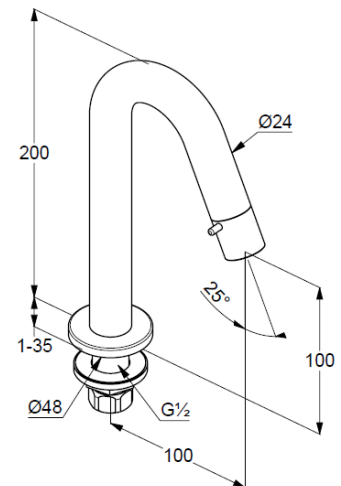
Product description
Manufacturer KLUDI GmbH & Co. KG
Typ: KLUDI BOZZ
stand pillar tap
Ref.: 380160530

stand pillar tap
with head part control unit
1-hole mounted
solid lever, metal
aerator M21,5 PCA
ceramic headparts 90°
flow rate at 3 bar 5 l/min.
fixed spout
connection G1/2
for cold water or mixed water
without flexible high pressure supply tube
or copper pipe Ø 10mm (KLUDI Ref.: 1620305)
EU taxonomy: max. 6 l/min. -
Substantial Contribution (SC) possible

Produktabbildung/ Product picture



Maßzeichnung/ Dimensional drawing



Durchfluss/ Flow rate

