

Technische Daten/ Technical Data

KLUDI LOGO
THERMOSTAT DUAL SHOWER SYSTEM
DN 15

Ref.: 6809405-00

Finishes:
05 chrome

Product description
Manufacturer KLUDI GmbH & Co. KG
Typ: KLUDI LOGO
THERMOSTAT DUAL SHOWER SYSTEM
Ref.: 6809405-00

thermostatic shower mixer
wall mounted
with ceramic shut-off valve 90°/90°
temperature handle with hot water safety at 40°C
shower outlet G1/2
protected against back flow
with integrated back flow preventer
S-unions G1/2 x G3/4
with dirt-catcher sieve
with fixing material
height-adjustable hand shower hook

hand shower 1 S
1 spray pattern
volume
with cleaning system
sieve seal

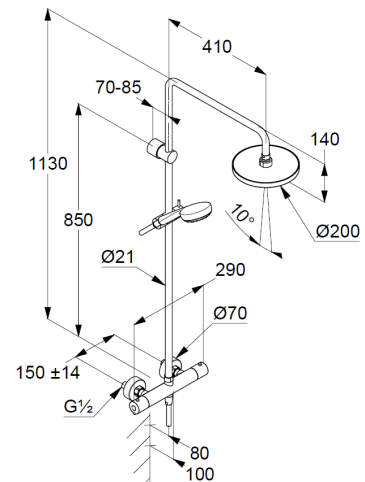
shower hose
plastic coated
with conical nuts
G1/2 x G1/2 x 1600mm

head shower 1 S
Ø 200mm
1 spray pattern
with cleaning system
connection G1/2
with ball joint
sieve seal

Produktabbildung/ Product picture



Maßzeichnung/ Dimensional drawing



Durchfluss/ Flow rate

