

Technische Daten/ Technical Data

KLUDI DIVE S
hand shower 1 S
DN 15

Ref.: 6881005-00

Finishes:
05 chrome

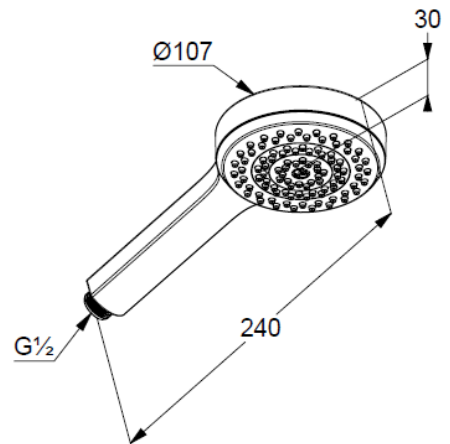
Product description
Manufacturer KLUDI GmbH & Co. KG
Typ: KLUDI DIVE S
hand shower 1 S
Ref.: 6881005-00

hand shower 1 S
flow rate at 3 bar 15 l/min.
(with possibility of limiting to 9 l/min.)
1 spray pattern
with cleaning system
connection G1/2
sieve seal

Produktabbildung/ Product picture



Maßzeichnung/ Dimensional drawing



Durchfluss/ Flow rate

