

# Technische Daten/ Technical Data

## KLUDI-PUSHTRONIC

electronic concealed thermostatic fitting  
pre-installation set with trim set  
DN 15

Ref.: 38300N2-00

Finishes:

N2 Brushed Gunmetal PVD

Product description

Manufacturer KLUDI GmbH & Co. KG

Typ: KLUDI-PUSHTRONIC

electronic concealed thermostatic fitting  
pre-installation set with trim set

Ref.: 38300N2-00

electronic concealed thermostatic fitting  
pre-installation set with trim set  
electronic mixing unit IP54  
wall or ceiling mounted (protection area 3)  
revision shaft necessary  
electric power supply via 230V main adapter  
operation via trim set  
connection between pre-installation set and trim set via cable  
CE marking  
with WIFI module  
with option for APP control  
connection cold water G1/2 / hot water G1/2  
connection of 1 or 2 consumers (G1/2) possible  
simultaneous use of 2 consumers possible  
flow rate max. at 3 bar ...  
outlet 1= 6 l/min.- 18 l/min.  
outlet 2= 6 l/min.- 18 l/min.  
outlet 1+2= 12 l/min.- 20 l/min.  
sieve seals included  
protected against back flow  
safety function at 38°C  
temperature limitation to 44°C  
thermal disinfection max. 70°C possible  
start-temperature individually adjustable via APP  
start-flow rate individually adjustable via APP  
"warm-up" function via APP  
maximum shower time: 1 min. to 20 min. adjustable via app  
warm-up memory for up to 3 users via app

electronic panel IP65

to control temperature and flow rate

1 x rotary and push button for temperature setting

2 x rotary and push button for volume setting and on/off

wall mounted

concealed plastic housing

with additional sealing sleeve

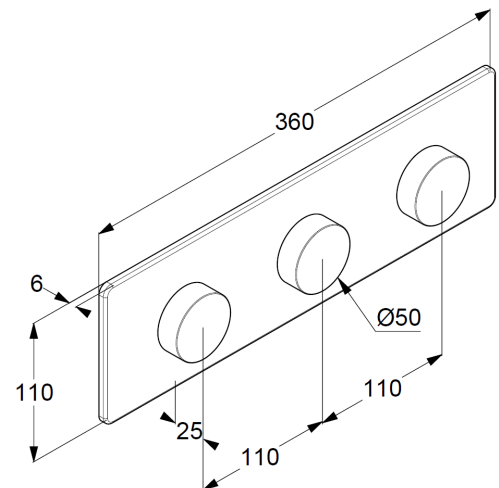
sealing according to DIN 18534

power supply 12 volts (cable from water connection box)

## Produktabbildung/ Product picture



## Maßzeichnung/ Dimensional drawing



## Durchfluss/ Flow rate

