

Technische Daten/ Technical Data

KLUDI-A-QA

wall supply

DN 15

Ref.: 65548N5-00

Finishes:

N5 Stainless Brushed Nickel PVD

Product description

Manufacturer KLUDI GmbH & Co. KG

Typ: KLUDI-A-QA

wall supply

Ref.: 65548N5-00

wall supply

connection G1/2

protected against back flow

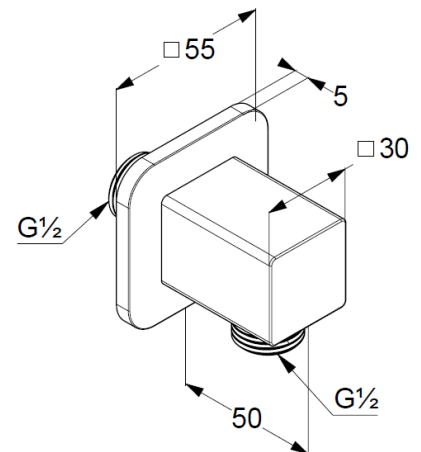
for rigid wall mounting

with push-on rosette

Produktabbildung/ Product picture



Maßzeichnung/ Dimensional drawing



Durchfluss/ Flow rate