

Technische Daten/ Technical Data

KLUDI-DIVE S

thermostatic dual shower system 3 S
DN 15

Ref.: 6807905-00

Finishes:
05 chrome

Product description

Manufacturer KLUDI GmbH & Co. KG

Typ: KLUDI-DIVE S

thermostatic dual shower system 3 S

Ref.: 6807905-00

thermostatic shower mixer

wall mounted

with ceramic shut-off valve 90°/90°

temperature handle with hot water safety at 40°C

shower outlet G1/2

protected against back flow

with integrated back flow preventer

S-unions G1/2 x G3/4

with dirt-catcher sieve

with fixing material

height-adjustable hand shower hook

with horizontally and vertically adjustable pipe

for wall mounted

hand shower 3 S

flow rate at 3 bar 15 l/min.

(with possibility of limiting to 9 l/min.)

3 spray pattern

Body/Hair/Skin

with cleaning system

connection G1/2

sieve seal

shower hose

plastic coated

with metal-effect

with conical nuts

anti twist

G1/2 x G1/2 x 1600mm

head shower 1 S

1 spray pattern

with cleaning system

connection G1/2

with ball joint

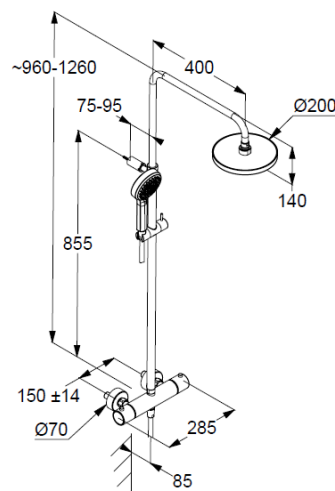
Ø 200mm

sieve seal

Produktabbildung/ Product picture



Maßzeichnung/ Dimensional drawing



Durchfluss/ Flow rate

