

# Technische Daten/ Technical Data

KLUDI ZENTA SL  
bath inlet  
DN 15

Ref.: 4860005

Finishes:  
05 chrome

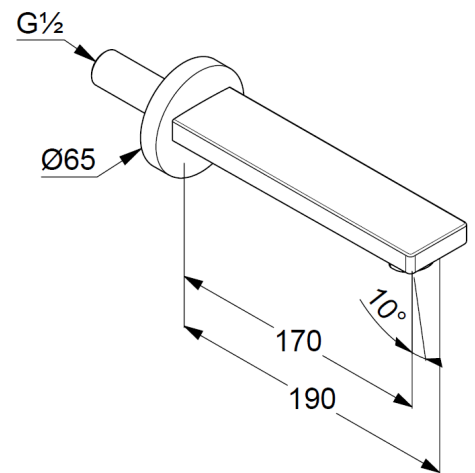
Product description  
Manufacturer KLUDI GmbH & Co. KG  
Typ: KLUDI ZENTA SL  
bath inlet  
Ref.: 4860005

bath inlet  
wall mounted  
aerator M24 PCA  
flow rate at 3 bar 28 l/min.  
fixed spout  
connection G1/2  
with rosette Ø 65mm  
2 parts, connector G1/2

## Produktabbildung/ Product picture



## Maßzeichnung/ Dimensional drawing



## Durchfluss/ Flow rate

