

Datasheet

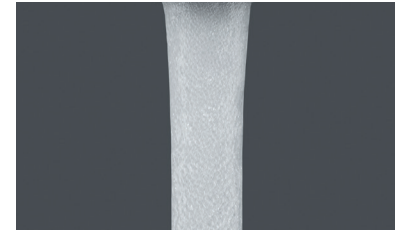
CASCADE® SLC Aerator STD Size



flow, stop and go®



Materials used
 Body: POM
 O-Ring: EPDM
 Washer: NBR
 Outlet Structure: Silicone



Aerated stream

CASCADE® SLC aerators have a superior resistance to calcification. Due to its elasticity, the outlet structure minimizes the formation of limescale. Residual limescale can be easily rubbed off.



Model Overview

Restricted flow rates (noise-reduced)	Color Code	STD Insert	M22x1	M24x1	Wetted surface area (in mm²)
Z (7.5-9.0 l/min @3 bar)	light green	40.0002.000	40.0002.023	40.0002.033	5174
A (13.5-15.0 l/min @3 bar)	light blue	40.0003.000	40.0003.023	40.0003.033	5278
S (18.0-19.8 l/min @3 bar)	yellow	40.0004.000	40.0004.023	40.0004.033	5288
B (22.8-25.2 l/min @3 bar)	dark blue	40.0005.000	40.0005.023	40.0005.033	5315
C (27.0-30.0 l/min @3 bar)	dark gray	40.0006.000	40.0006.023	40.0006.033	5323
D (34.8-37.8 l/min @3 bar)	light gray	40.0007.000	40.0007.023	40.0007.033	5338
T (1.5 gpm max. @60 psi)	green	40.0010.000	40.0010.023	40.0010.033	5130
X (2.2 gpm max @60 psi)	red	40.0001.000	40.0001.023	40.0001.033	5160

Imperial PCA® flow rates	Color Code	STD Insert	M22x1	M24x1	Wetted surface area (in mm²)
PCA® 1.0 gpm max.	blue	40.0058.000	40.0058.023	40.0058.033	5810
PCA® 1.2 gpm max.	pink	40.0060.000	40.0060.023	40.0060.033	5810
PCA® 1.5 gpm max.	green	40.0056.000	40.0056.023	40.0056.033	5876
PCA® 1.75 gpm max.	light blue	40.0061.000	40.0061.023	40.0061.033	5915
PCA® 2.0 gpm max.	lilac	40.0057.000	40.0057.023	40.0057.033	5915
PCA® 2.2 gpm max.	yellow	40.0053.000	40.0053.023	40.0053.033	5915

Metric PCA® flow rates	Color Code	STD Insert	M22x1	M24x1	Wetted surface area (in mm²)
PCA® 5.0 l/min.	orange	40.0051.000	40.0051.023	40.0051.033	5915
PCA® 6.0 l/min.	black	40.0052.000	40.0052.023	40.0052.033	5915
PCA® 7.0 l/min.	light green	40.0055.000	40.0055.023	40.0055.033	5915
PCA® 8.0 l/min.	white	40.0054.000	40.0054.023	40.0054.033	5924

PCA® = Pressure Compensating Aerator: constant flow rate irrespective of line pressure

Assembly Instructions

ATTENTION!
 Product may not be altered!
 Shall not be used for hot water application exceeding 70°C

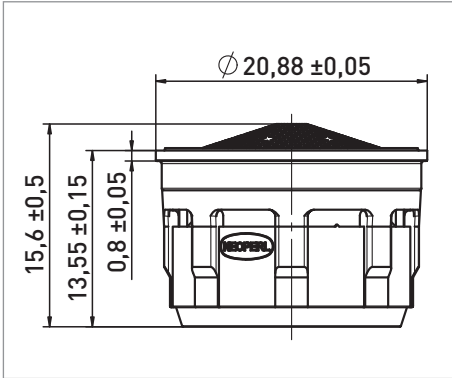
ATTENTION!
 Max. mounting torque 1.5 Nm
 steadily applied

Suitable Housings

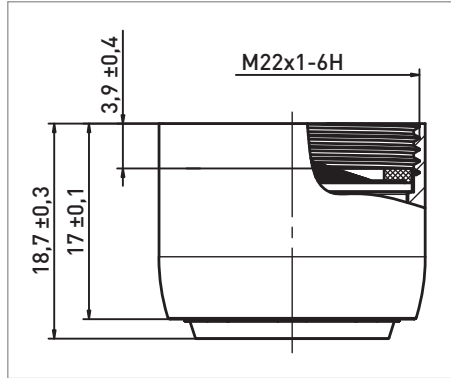
Please refer to the datasheet „Housing Overview STD Size“.

Dimensions (in mm)

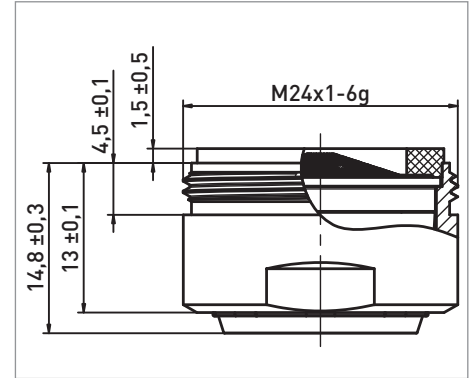
according to EN246



CC SLC STD insert

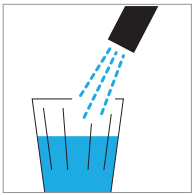


CC SLC M22x1

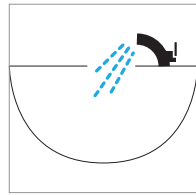


CC SLC M24x1

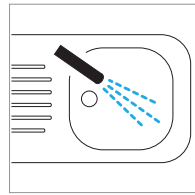
Application Areas



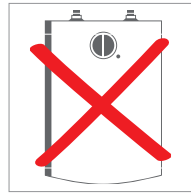
Drinking water only



Basin faucet



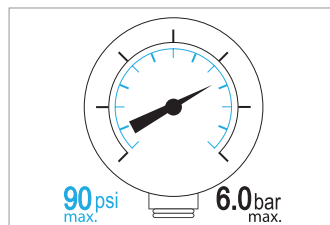
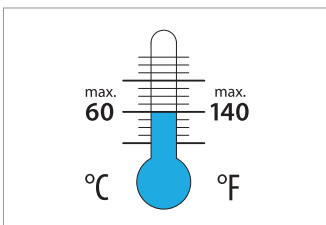
Kitchen faucet



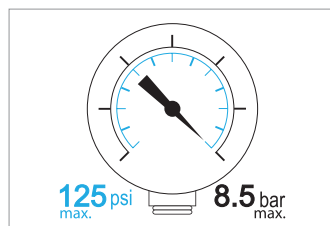
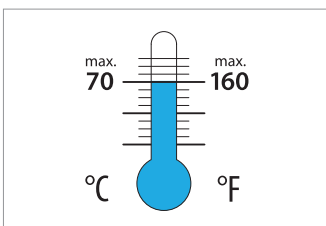
Not suitable for pressureless water heaters

Operating Conditions

Continuous



Short-term (3 minutes max.)



Indicated pressure values refer to supply line pressure.
Avoid water hammer.

Trademarks are registered in various countries