

Technische Daten/ Technical Data

KLUDI
concealed 2-hole basin mixer
pre-installation set
DN 15

Ref.: 38242

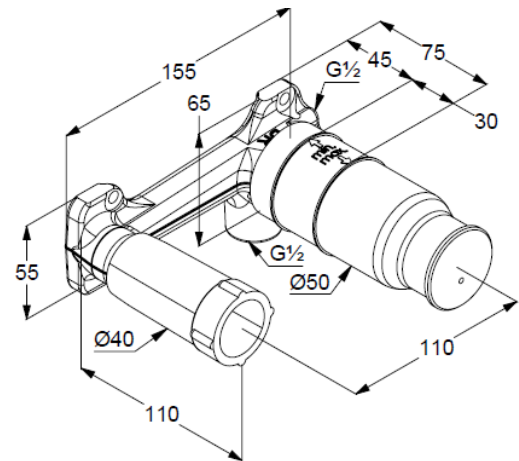
Product description
Manufacturer KLUDI GmbH & Co. KG
Typ: KLUDI
concealed 2-hole basin mixer
Ref.: 38242

concealed 2-hole basin mixer
pre-installation set
single lever mixer
in-wall-installation
with protection cap
without trim set
vertical wall mounted
ceramic cartridge with hot water safety device
flow rate at 3 bar 25 l/min.

Produktabbildung/ Product picture



Maßzeichnung/ Dimensional drawing



Durchfluss/ Flow rate

