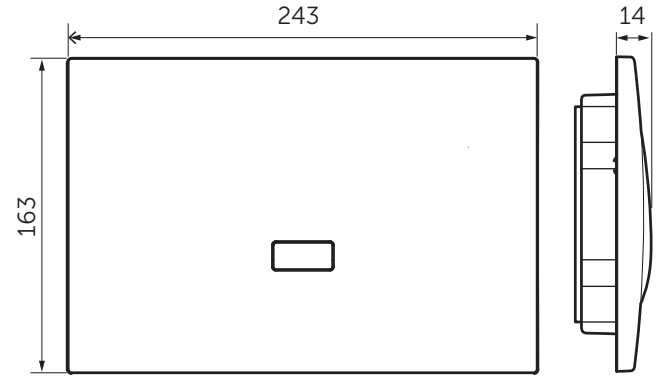
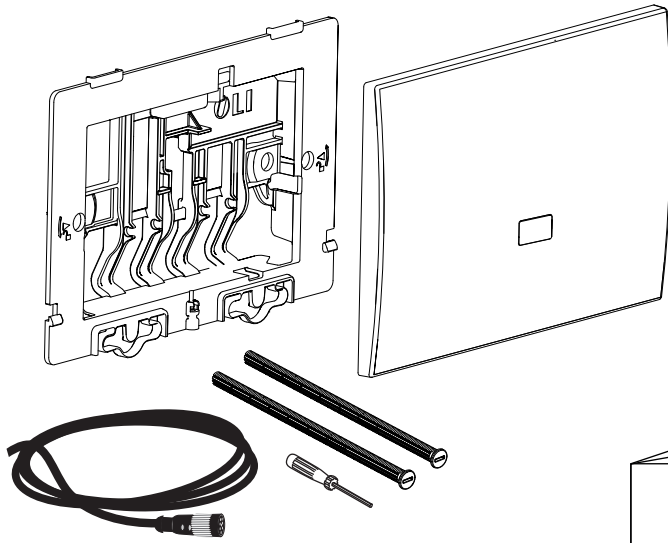
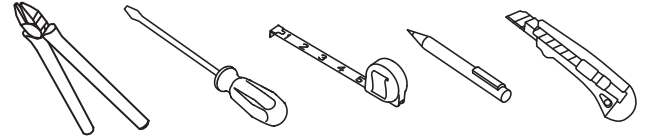


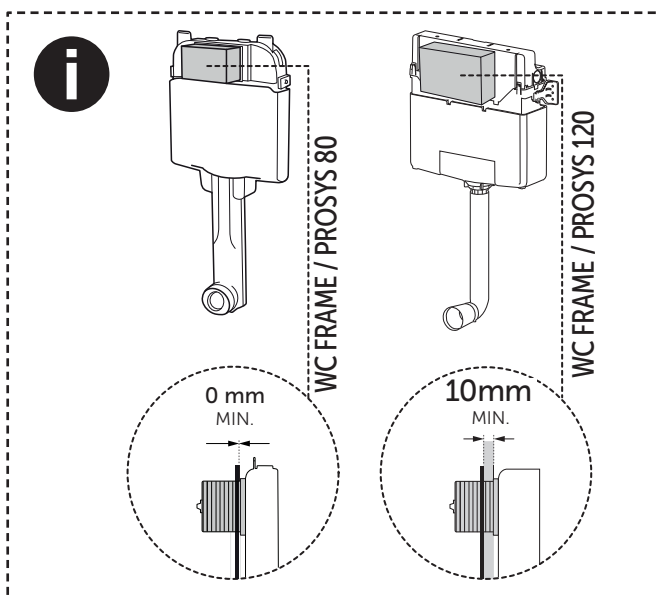
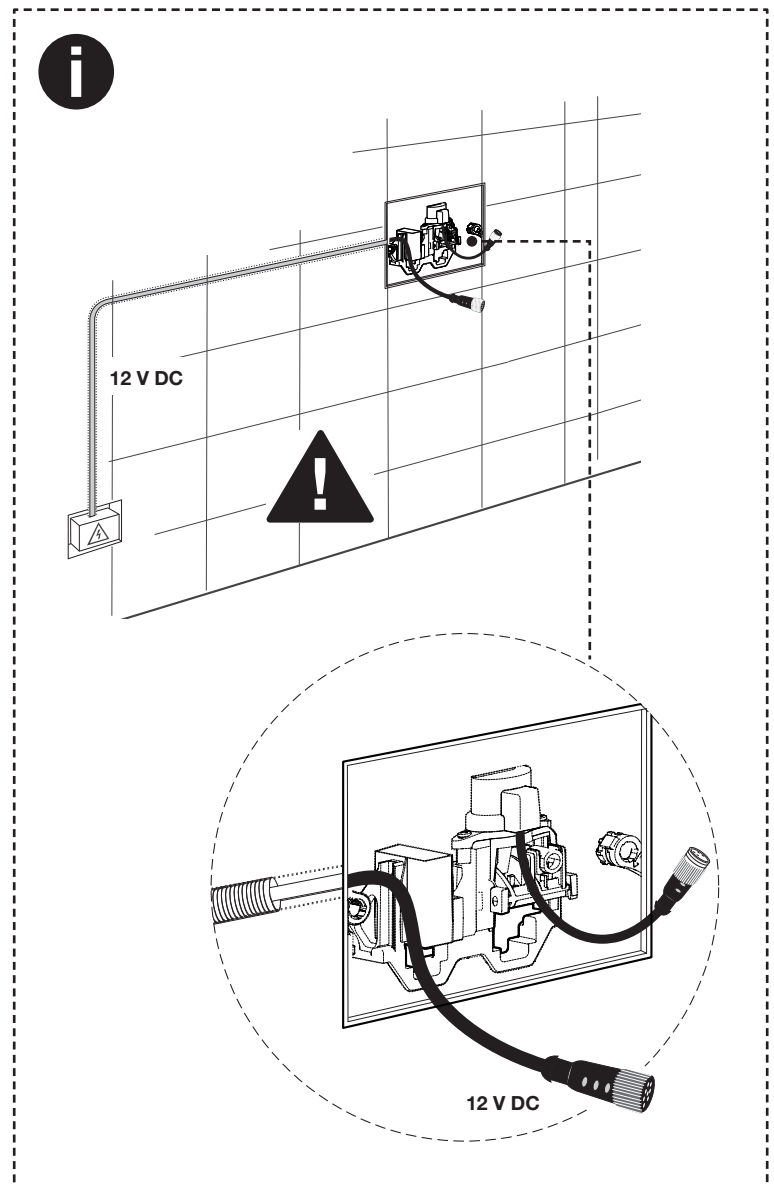
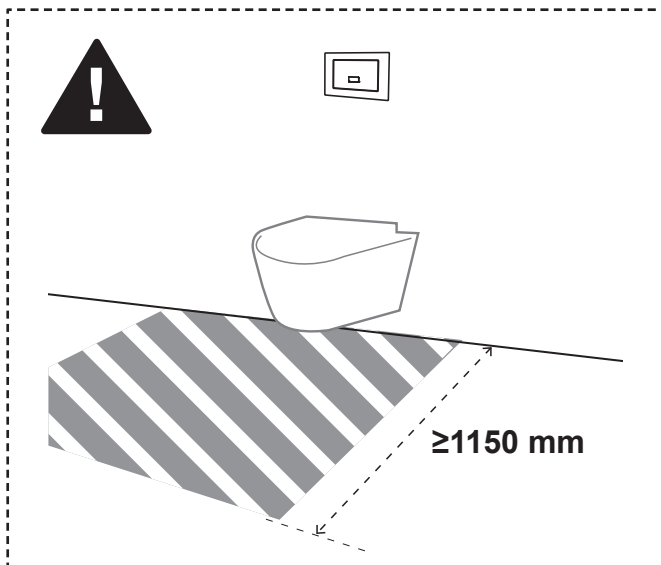
SEPTA PRO

E2

Installation - Installazione - Installation - Montage - Instalación - Montering - Монтаж
 Montáž - Paigaldamine - Εγκατάσταση - Beszerelés - Montavimas - Montāža - Instalare
 Инсталација - Montaž - Установка - Montaža - Montáž - Montaj - Інсталяція

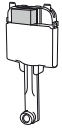


(dimensions in millimeters)

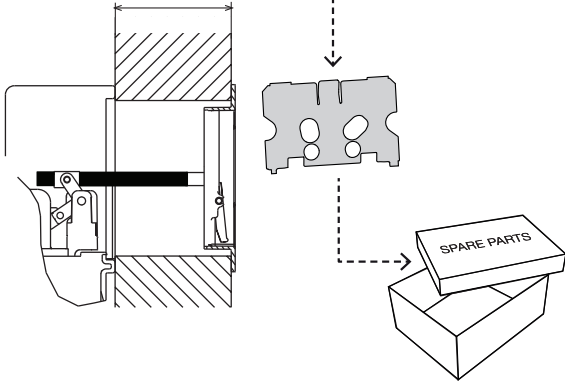




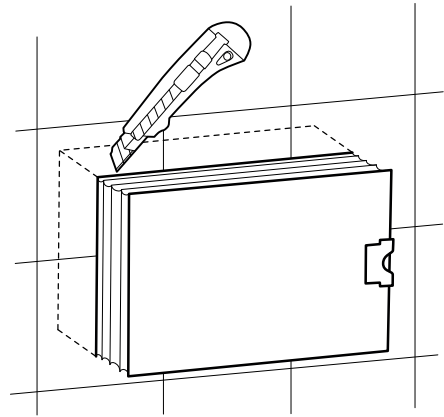
PROSYS 80



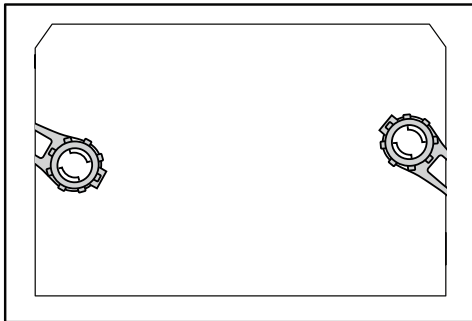
X < 20mm



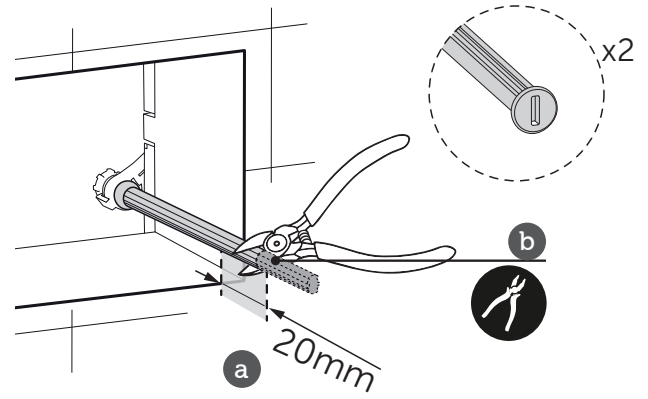
1



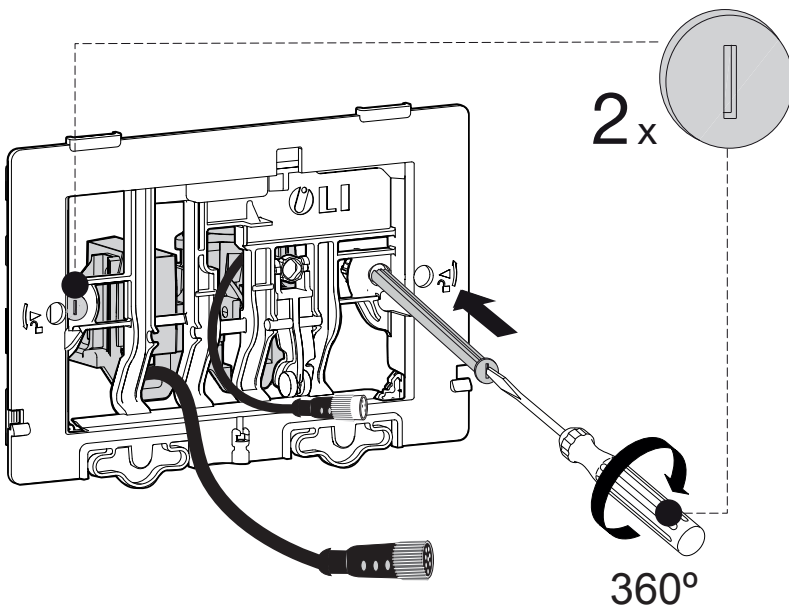
2



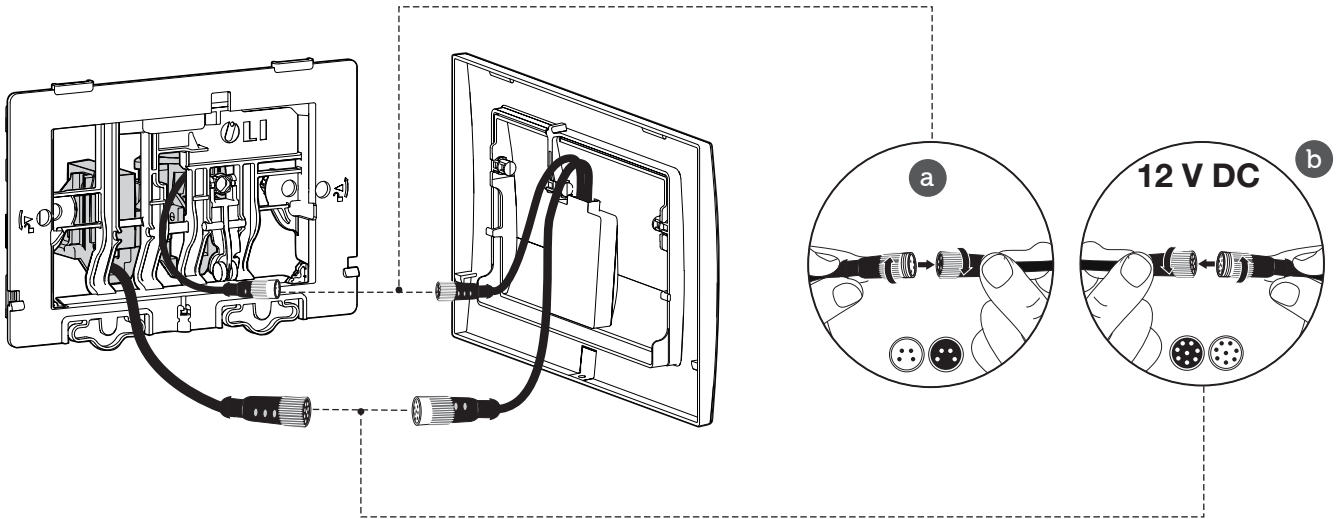
3



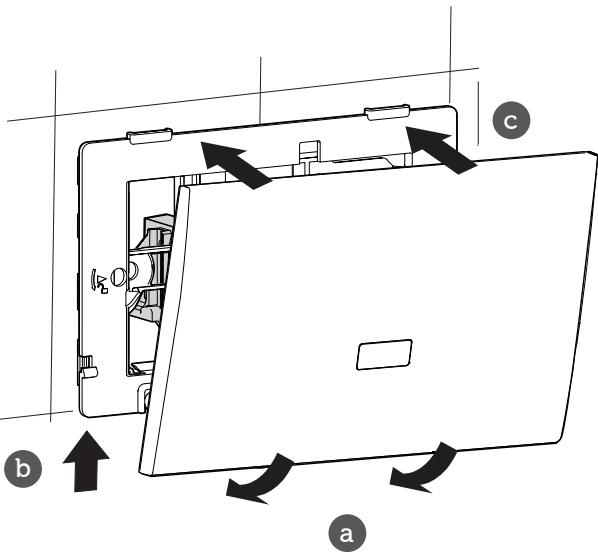
4



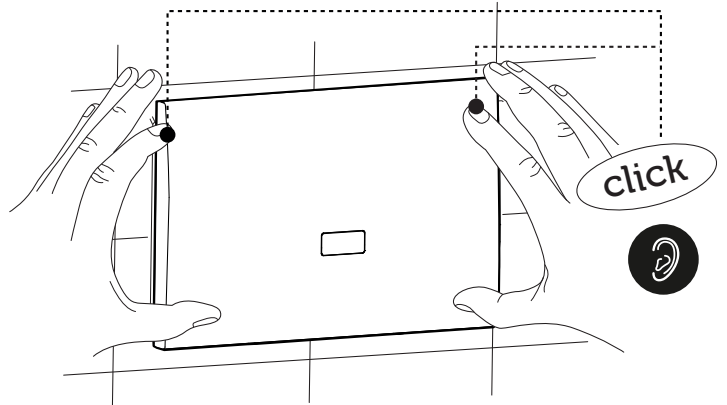
6

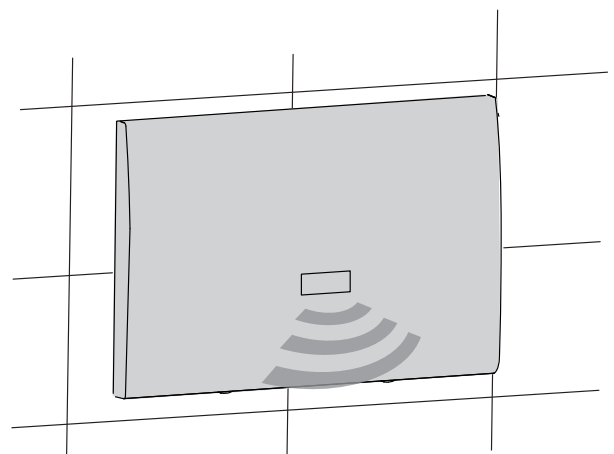
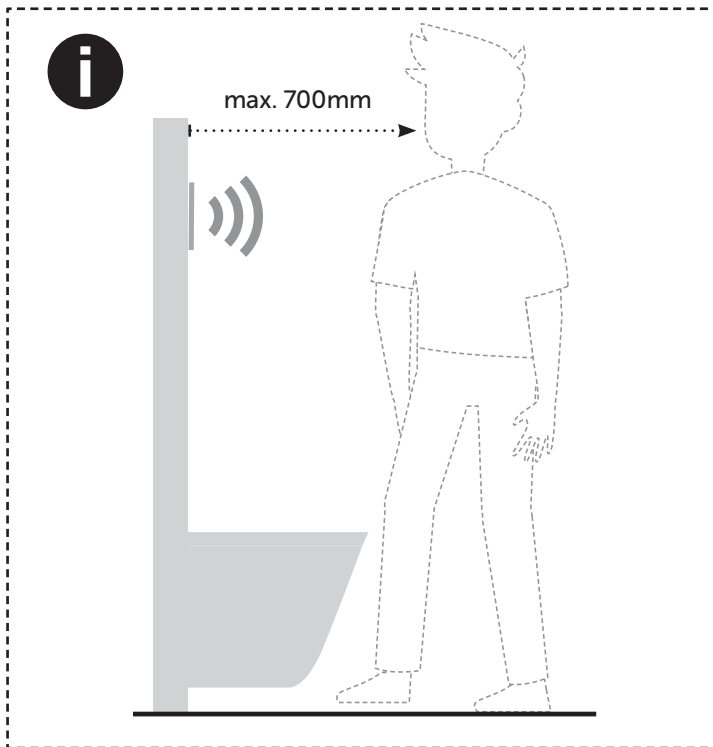
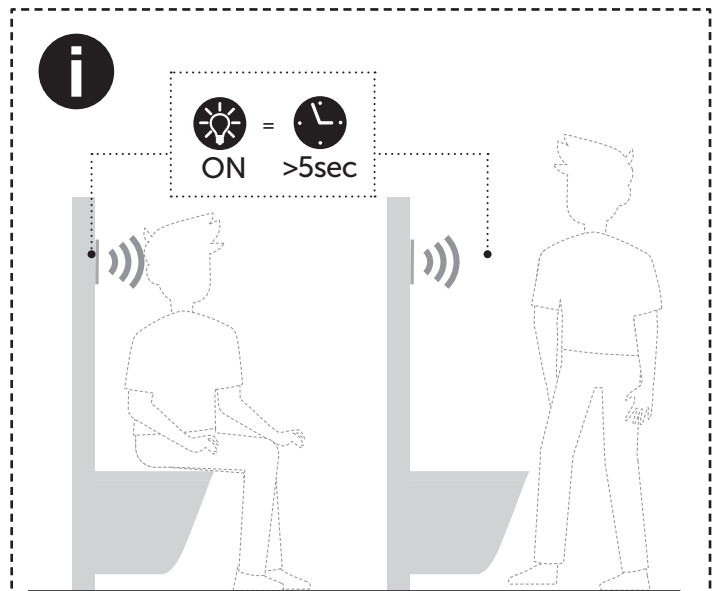
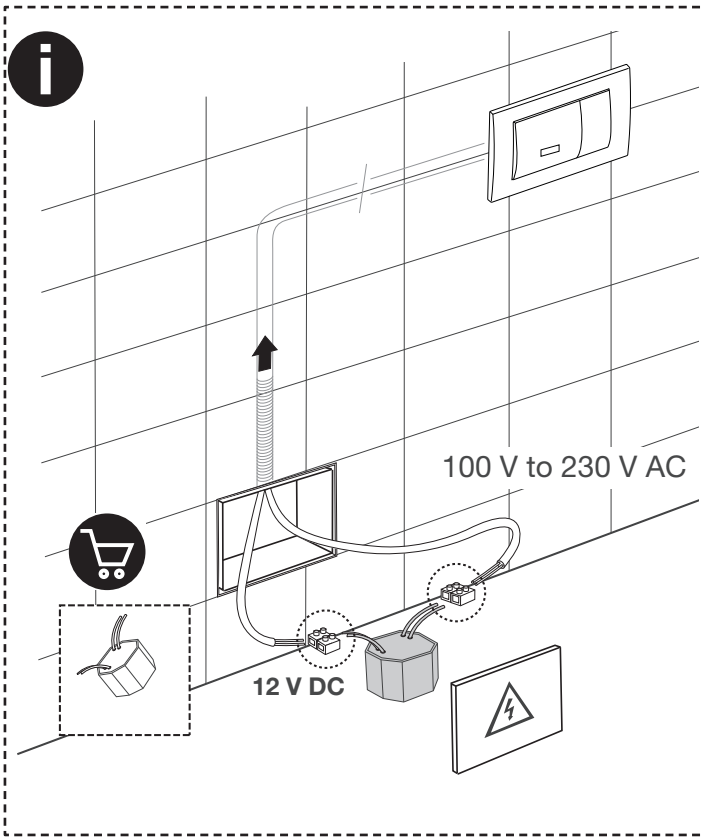


7



8





Ideal Standard International NV
 Corporate Village – Gent Building
 Da Vincilaan 2
 B1935 – Zaventem
 Belgium
www.idealstandard.com

BE +32 (0)2 325 66 33
 BG +359 675 30362
 DE +49 (0)228 521 580
 EG +202 26969700
 FR +33 (0)1 49 38 28 00
 GB 0870 129 6085
 GR +30 210 67 90 810
 HR +38591 22 99 304

HU +36 30 6991 594
 IT 800 652 290
 ME +971 4 804 2400
 NL +31 (077) 355 08 08
 PL +48 71 7868 301/302
 RO +40 21 3223 201/202
 SI 00386 59 919040
 TR +90 216 314 87 87

UA +359 675 30 468
 AL/XK/BA +359 887 709 696
 CZ/SK +420 417 592 179
 DK/NO/SE +45 75 84 10 10
 ES/PT +34 93 561 80 00
 LV/LT/EE +371 673 57 792
 RS/MK/ME +381 11 713 80 58
 RU/MD +7 495 669 23 11

