

Technische Daten/ Technical Data

KLUDI DIVE X
THERMOSTAT DUAL SHOWER SYSTEM
DN 15

Ref.: 69067N5-00

Finishes:
N5 Stainless Brushed Nickel PVD

Product description
Manufacturer KLUDI GmbH & Co. KG
Typ: KLUDI DIVE X
THERMOSTAT DUAL SHOWER SYSTEM
Ref.: 69067N5-00

thermostatic shower mixer
wall mounted
with ceramic shut-off valve 90°/90°
temperature handle with hot water safety at 40°C
shower outlet G1/2
protected against back flow
with integrated back flow preventer
S-unions G1/2 x G3/4
with dirt-catcher sieve
with fixing material
height-adjustable hand shower hook
for rigid wall mounted

hand shower 3 S
flow rate at 3 bar 15 l/min.
(with possibility of limiting to 9 l/min.)
3 spray pattern
Body/Hair/Skin
with cleaning system
connection G1/2
sieve seal

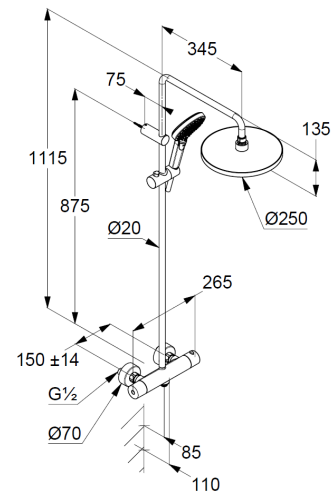
shower hose
plastic coated
with metal-effect
with conical nuts
anti twist
G1/2 x G1/2 x 1600mm

head shower 1 S
1 spray pattern
with cleaning system
connection G1/2
with ball joint
Ø 250mm
sieve seal

Produktabbildung/ Product picture



Maßzeichnung/ Dimensional drawing



Durchfluss/ Flow rate

