

Product: **KLUDI SCOPE single lever sink mixer DN 15**

Ref.: **33931..75**

### Product description

single lever sink mixer DN 15  
 solid lever  
 single hole mounted  
 flow class A  
 aerator M 22 x I  
 ceramic cartridge with hot water safety device  
 swivelling spout (110°), pull-out hand spray  
 protected against back flow  
 shank-fixing  
 copper tubes Ø 10 mm  
 noise group I  
 P-IX 19450/IA

Finishes:  
 05 chrome  
 96 stainless steel look

Product picture

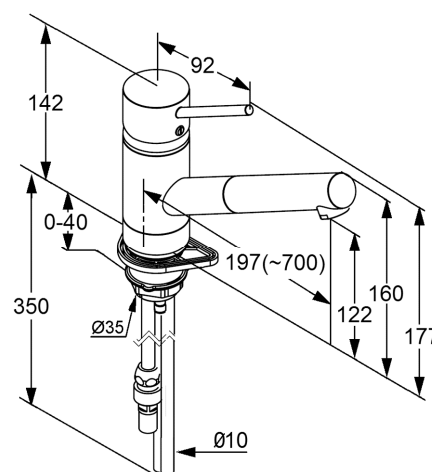


### Advertisement

- \* KLUDI GmbH & Co KG KLUDI SCOPE single lever sink mixer item no. 33931..75
- \*\* ceramic cartridge with hot water safety device Ø 35 mm, DIN EN 817
- \*\*\* brass, DIN 50930-6

single lever sink mixer, manufacturer KLUDI GmbH & Co KG KLUDI SCOPE item no. 33931..75, DN 15, surface: 05 = chrome plated brass, 96 = stainless steel look, type: single lever sink mixer DN 15, swivel (range 110°) pull out spout (max. 700 mm), solid lever, lever projection 92 mm, aerator M 22 x I, noise level DIN 4109 group I, report no. P-IX 19450/IA, flow class A (max. 0,25 l/s), nozzle projection 200 mm, shank fixing, copper tubes Ø 10 mm length 350 mm, nozzle height 122/160 mm, overall length 142/177 mm, ceramic cartridge with hot water safety device Ø 35 mm, shower hose with metal body M 15 x I x 1500 mm with W270/KTW-A, protected against back flow ..EN 1717, for borehole diameter Ø 35 mm, for pressure type water heater, for continuous line heater, PN 10,

Dimensional drawing



Flow rate diagram

