

Technische Daten/ Technical Data

KLUDI ZENTA SL

concealed single lever shower mixer

Ref.: 487550565

Finishes:
05 chrome

Product description

Manufacturer KLUDI GmbH & Co. KG

Typ: KLUDI ZENTA SL

concealed single lever shower mixer

Ref.: 487550565

concealed shower mixer

single lever mixer

trim set without pre-installation set

for pre-installation set KLUDI SLIM.BOX Ref.: 88022

trim set with functional unit

wall mounted

solid lever, metal

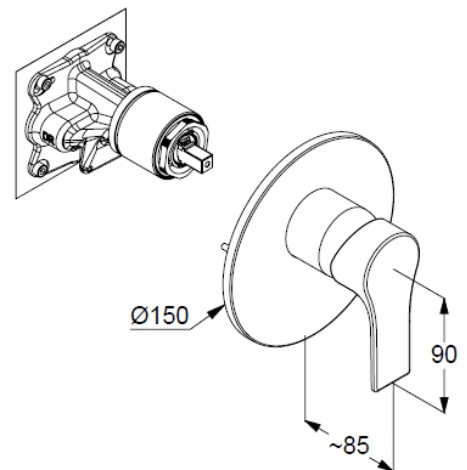
ceramic cartridge with hot water safety device

flow rate at 3 bar 28 l/min.

Produktabbildung/ Product picture



Maßzeichnung/ Dimensional drawing



Durchfluss/ Flow rate

