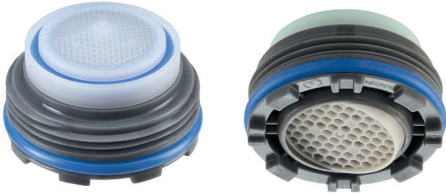


Datasheet



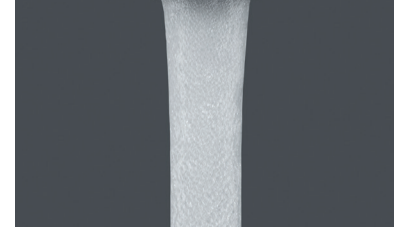
CACHÉ® HONEYCOMB® SSR PCA® DC Aerator with DUAL-CORE® Technology JR Size Male M21.5x1

flow, stop and go®



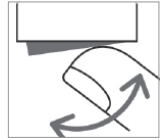
Materials used

Body: POM
O-Rings: EPDM (black)
Silicone (blue)



Aerated stream

PCA® DUAL-CORE® aerators are made for all pressure conditions. Nominal flow is already reached at very low pressures, also providing much earlier aeration and thus a soft and comfortable feel. With SSR feature: adjustable swivle angle +/-10°.

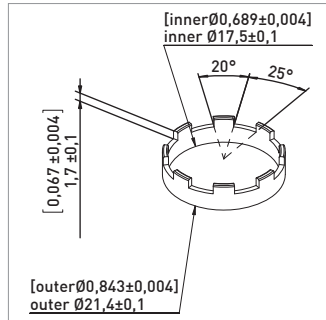
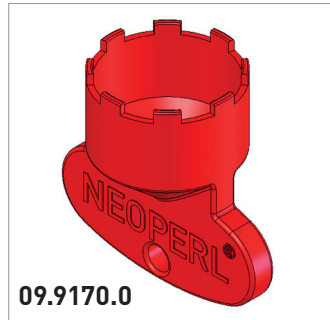
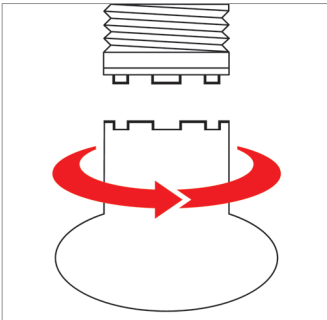


Model Overview

CACHÉ® HONEYCOMB® SSR PCA® DUAL-CORE®

Flow rate (@ 60psi / 38°C)	Color Code	Part. No.	Wetted surface area (in mm²)
PCA® 1.0 gpm max.	blue	42.6213.010	4532
PCA® 1.2 gpm max.	pink	42.6214.010	4532
PCA® 1.5 gpm max.	green	42.6215.010	4532
PCA® 1.75 gpm max.	light blue	42.6217.010	4097
PCA® 2.1 gpm max.	red	42.6216.010	4097

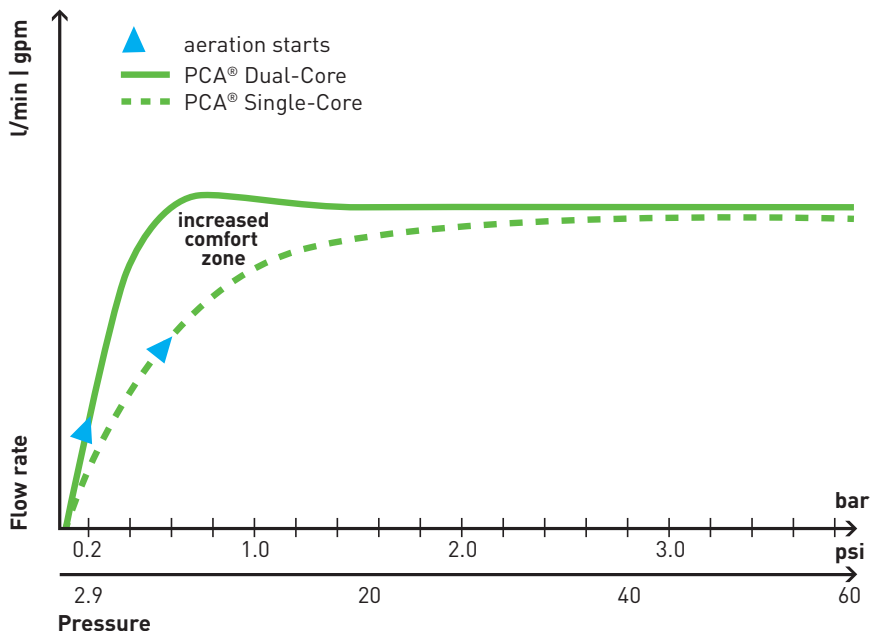
Assembly Instructions



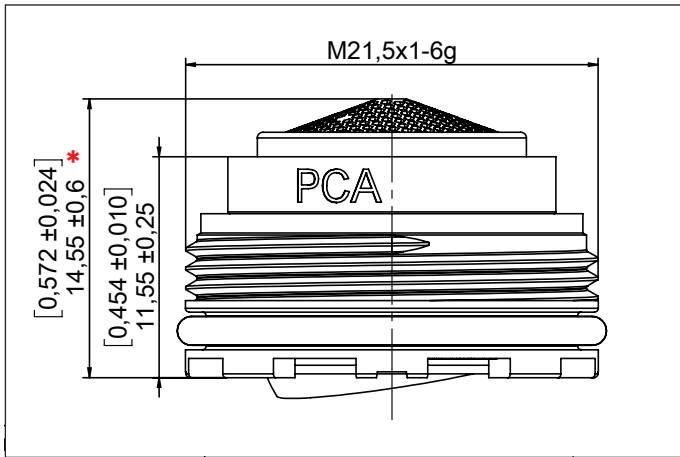
ATTENTION!
Max. mounting torque **0.5 Nm**
Do not use silicone oil/grease

Use Neoperl key 09.9170.0 or spare aerator cartridge to assemble or exchange the aerator or refer to above dimensions for self-made assembly tools.

Flow Curve



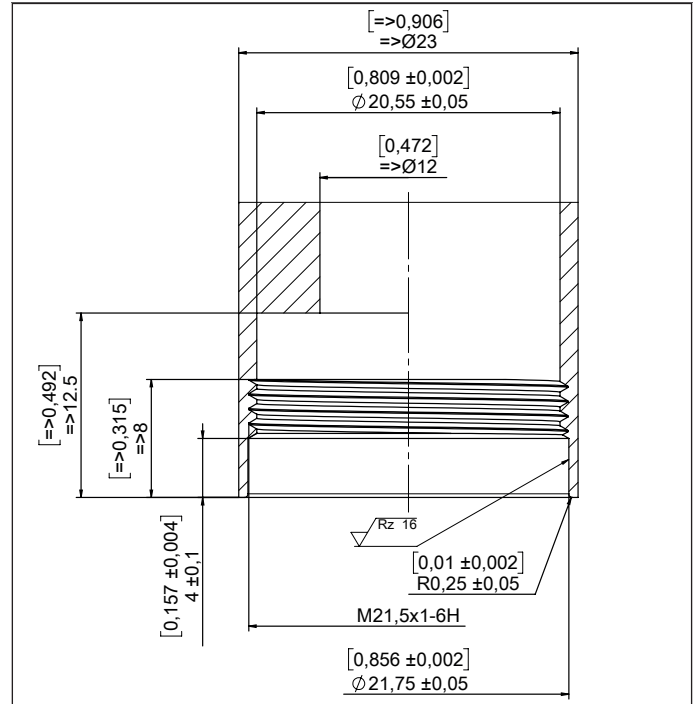
Dimensions (in mm)



CACHÉ® HC SSR PCA® DC JR M21.5x1

* Height for 1.0 gpm, 1.2 gpm and 1.5 gpm: 14.1 ± 0.7

**For pressure resistance reasons, thread must be true to gage!
Screw aerator in until flush with spout end.**

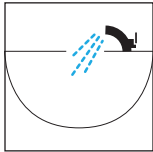


Recommended Mounting Dimensions

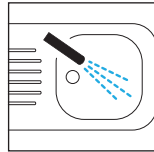
Application Areas



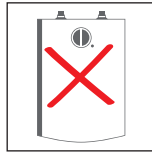
Drinking water only



Basin faucet



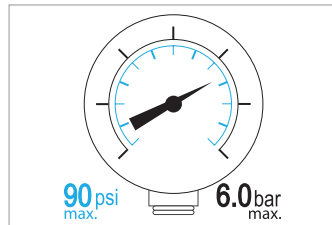
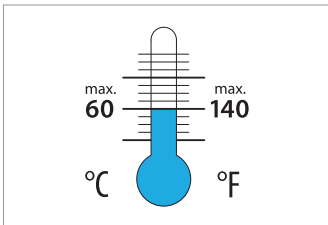
Kitchen faucet



Not suitable for pressureless water heaters

Operating Conditions

Continuous

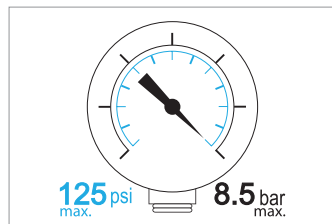
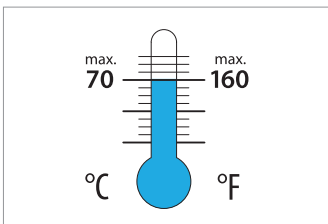


ATTENTION!

Product may not be altered!

Shall be used for hot water application exceeding 70°C

Short-term (3 minutes max.)



Indicated pressure values refer to supply line pressure.
Avoid water hammer.

Trademarks are registered in various countries