

## Technische Daten/ Technical Data

KLUDI-ASANA  
bath inlet  
DN 15

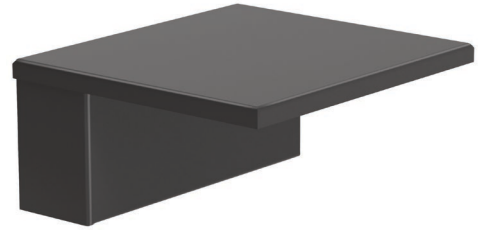
Ref.: 6951039-00

Finishes:  
39 matt black

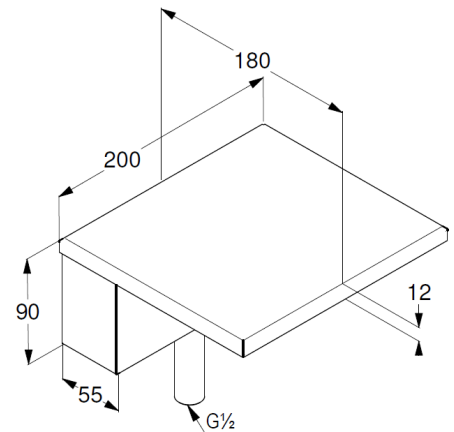
Product description  
Manufacturer KLUDI GmbH & Co. KG  
Typ: KLUDI-ASANA  
bath inlet  
Ref.: 6951039-00

bath inlet  
1-hole tile edge or bathtub edge installation  
waterfall  
flow rate at 3 bar > 45 l/min.  
fixed spout  
projection 180mm  
connection G1/2

### Produktabbildung/ Product picture



### Maßzeichnung/ Dimensional drawing



### Durchfluss/ Flow rate

